



www.saaa.fr

Doc. OZ NOT FR 1109  
21/11/2011

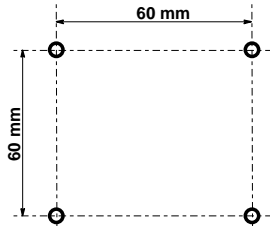
**Control unit dimensions**

Dimensions: 145 x 105 x 25 mm

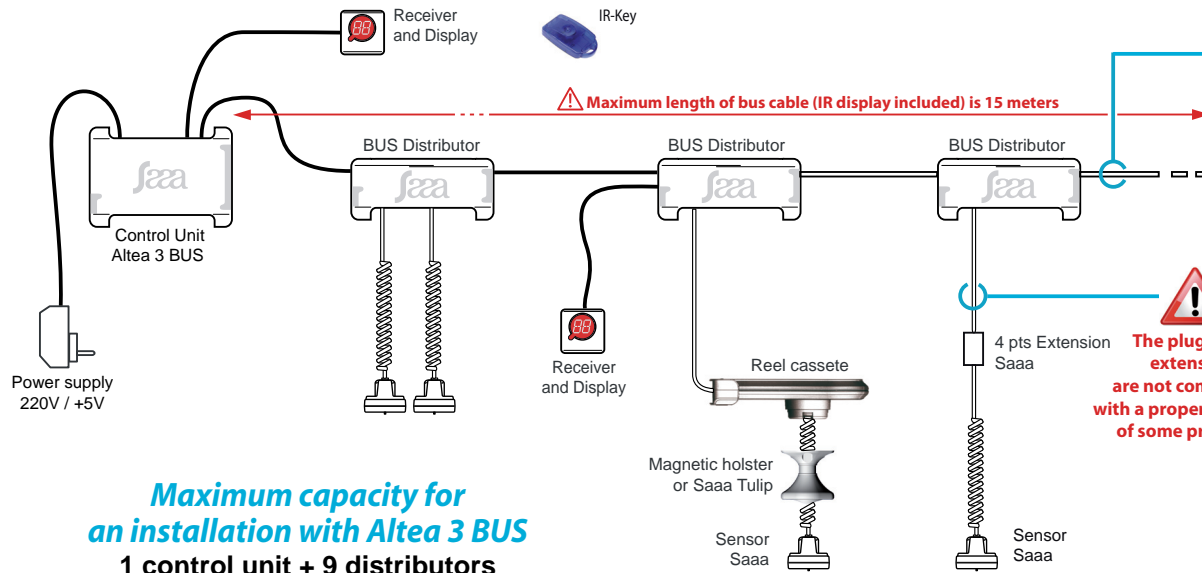
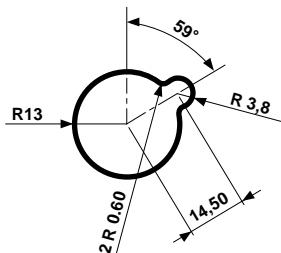
**Distributor dimensions**

Dimensions: 120 x 40 x 25 mm

**Control unit fixing**



**IR Receiver and Display**



⚠ Maximum length of bus cable (IR display included) is 15 meters



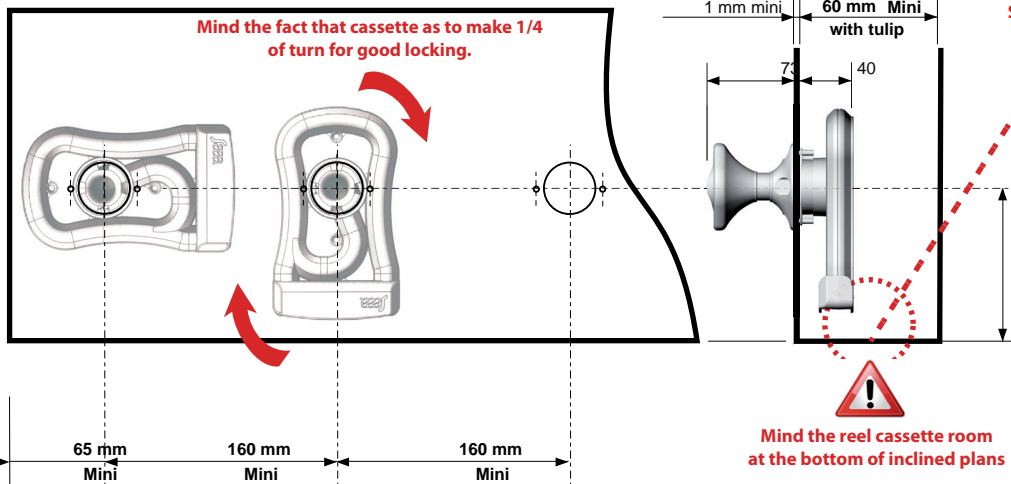
The plug/plug extension are not compatible with a proper powering of some products.

**Maximum capacity for an installation with Altea 3 BUS**

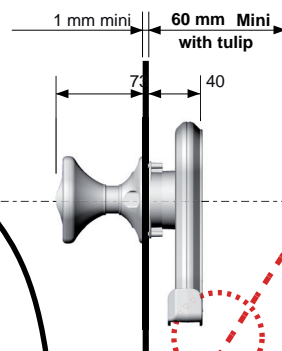
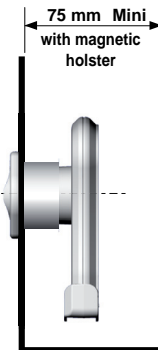
- 1 control unit + 9 distributors
- 2 Receiver and Display
- Maximum length of bus cable (IR display included) is 15 meters
- 80 sensors

**Maximum capacity for an installation with Altea 3**

- 1 control unit
- 1 Receiver and Display
- 8 sensors

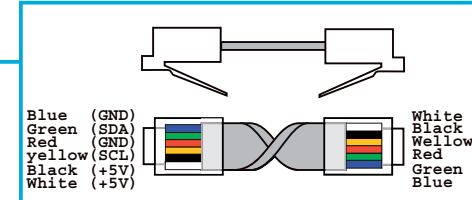


Mind the fact that cassette as to make 1/4 of turn for good locking.

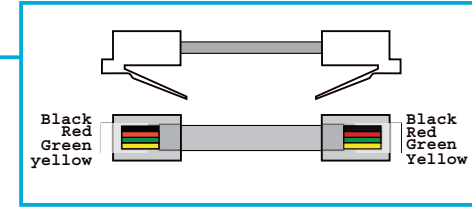


All these measurement are an indication of the necessary room to implement Saaa system. Please, mind the fact that it is mandatory to have enough space for a proper installation. (hand and tools space)

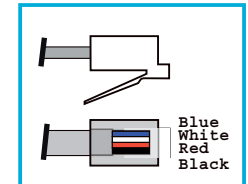
**BUS wiring**



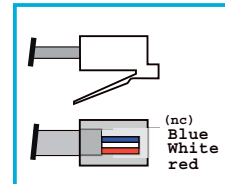
**Extension wiring**



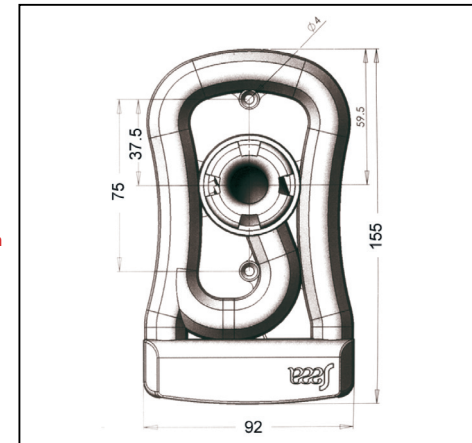
**58426**



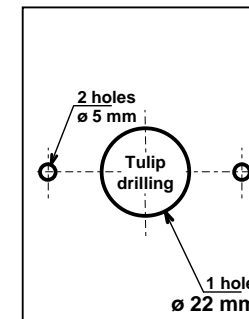
**Micro-Sensor**



**Reel cassette dimensions**



**Tulip drilling**



**Magnetic holster drilling**

